

Sommaire

1. PORTE-AFFICHE cristal 12V (Fixation murale)	2
2. PORTE-AFFICHE cristal 12V (Fixation suspendue)	3
3. PORTE-AFFICHE cristal 24V (Fixation murale)	4
4. PORTE AFFICHE cristal 24V (fixation suspendue)	5
5. ACCESSOIRE	6
6. MISE EN ŒUVRE	8

1. PORTE-AFFICHE cristal 12V (Fixation murale)

PRESENTATION

- Système d'ouverture Cristal
- Ultra fin : 11 mm
- Cadre PMMA « Cristal »
- Liseré gris argent contour du visuel
- Porte-affiche simple face

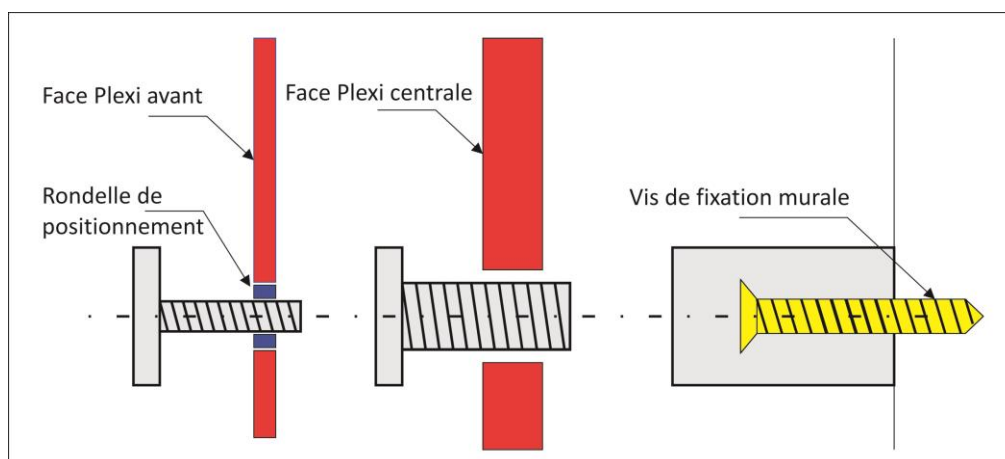


CARACTERISTIQUES TECHNIQUES

- Alimentation par adaptateur secteur 230V-12VDC (fourni)
- Eclairage par leds
- Fixation de l'affiche entre les faces PMMA par entretoises



Référence	Format	Nb de Faces	Dimensions du cadre (mm)	Dimensions de l'image (mm)	Dimensions du visuel (mm)	Tolérance (mm)	Poids (Kg)	Conso (W)
MLJCRMA3	A3	Simple	377X500X11	297X420	277X400	+/-1	3.2	8
MLJCRMA2	A2	Simple	520X694X11	420X594	395X569	+/-1	5.5	12
MLJCRMA1	A1	Simple	724X971X11	594X841	574X821	+/-1	10	16
MLPSJ2512	Alimentation 12 VDC 25 W pour porte affiche mural							



2. PORTE-AFFICHE cristal 12V (Fixation suspendue)

- Système d'ouverture Cristal
- Ultra fin : 12mm
- Cadre PMMA Cristal
- Liseré gris argent contour du visuel
- Simple ou double face
- Fixation suspendue

CARACTERISTIQUE TECHNIQUE

- Alimentation 12V
- Eclairage par leds

Référence	Format	Nb de Faces	Dimensions du cadre (mm)	Dimensions de l'image (mm)	Dimensions du visuel (mm)	Tolérance (mm)	Poids (Kg)	Conso (W)	Côté éclairé
MLJCRSA4DV	A4	Double	265X352X12	297X210	200X287	+/-1	2.5	6	2 longs
MLJCRSA3SV	A3	Simple	377X500X11	297X420	277X400	+/-1	3.1	8	2 longs

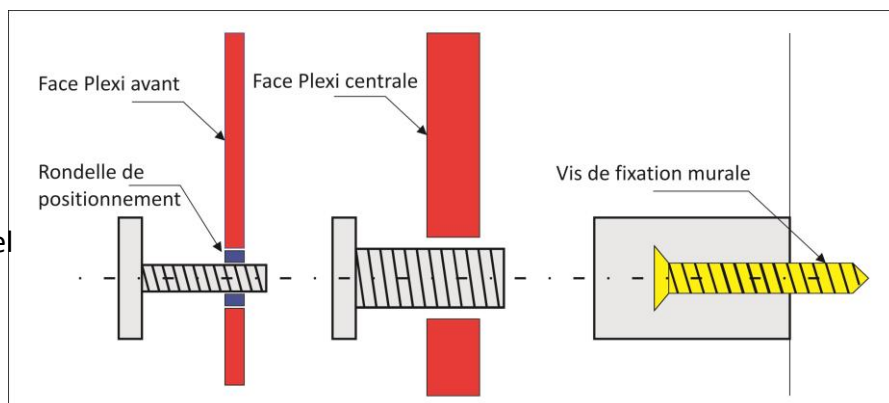
Attention, les références MLJCRSA4SV et MLJCRSA4SH n'ont qu'une seule rangée de led qui éclaire le porte-affiche.

Charge maxi par alimentation	MLPM1512E (15W)		MLPM4012E (35W)		MLPM7512E (60W)		MLPM12012E (100W)		MLPM180E (150W)		MLPM21512E (180W)		MLPM27012E (220W)		MLPM32012E (275W)	
	H	V	H	V	H	V	H	V	H	V	H	V	H	V	H	V
Porte-affiche A4 double face	3	2	7	4	12	8	20	13	30	20	36	24	44	29	55	36
Porte-affiche A3 simple face	2	1	4	3	8	6	13	10	20	15	24	18	29	22	36	27

3. PORTE-AFFICHE cristal 24V (Fixation murale)

PRESENTATION

- Système d'ouverture Cristal
- Ultra fin : 11 mm
- Cadre PMMA « Cristal »
- Liseré gris argent contour du visuel
- Porte-affiche simple face



CARACTERISTIQUES TECHNIQUES

- Alimentation par adaptateur secteur 230V-24VDC (fourni)
- Eclairage par leds
- Fixation de l'affiche entre les faces PMMA par entretoises

Référence	Format	Nb de Faces	Dimensions du cadre (mm)	Dimensions de l'image (mm)	Dimensions du visuel (mm)	Tolérance (mm)	Poids (Kg)	Conso (W)	Flux lumineux (lm)
MLJCRMA324	A3	Simple	377X500X11	297X420	277X400	+/-1	3.2	14	588
MLJCRMA224	A2	Simple	520X694X11	420X594	395X569	+/-1	5.5	20	798
MLJCRMA124	A1	Simple	724X971X11	594X841	574X821	+/-1	10	28	1176
MLJCRMA7124	A71	Simple	830X1130X11	700X1000	680X980	+/-2	13,5	32	1386

Référence	Désignation	Porte affiche
MLPSJ4024	Alimentation 24V 40W	MLJCRMA324, MLJCRMA224 et MLJCRMA124
MLPSJ7024	Alimentation 24V 70W	MLJCRMA7124

4. PORTE-AFFICHE cristal 24V (Fixation suspendue)

- Système d'ouverture Cristal
- Ultra fin : 12mm
- Cadre PMMA Cristal
- Liseré gris argent contour du visuel
- Simple ou double face
- Fixation suspendue

CARACTERISTIQUE TECHNIQUE

- Alimentation 24V
- Eclairage par leds

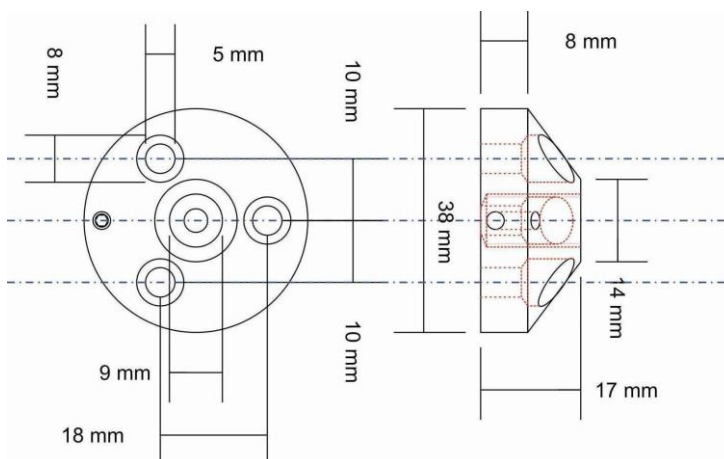
Référence	Format	Nb de Faces	Dimensions du cadre (mm)	Dimensions de l'image (mm)	Dimensions du visuel (mm)	Tolérance (mm)	Poids (Kg)	Conso (W)	Côté éclairé	Flux Lumineux (lm)
MLJCRSA4SV24	A4	Simple	265X352X11	297X210	200X287	+/-1	2.2	8	1 long	168
MLJCRSA4SH24	A4	Simple	265X352X11	297X210	200X287	+/-1	2.2	7	1 long	168
MLJCRSA4DV24	A4	Double	265X352X12	297X210	200X287	+/-1	2.5	13	2 longs	378
MLJCRSA4DH24	A4	Double	265X352X12	297X210	200X287	+/-1	2.5	10	2 courts	294
MLJCRSA3SV24	A3	Simple	377X500X11	297X420	277X400	+/-1	3.1	18	2 longs	588
MLJCRSA3SH24	A3	Simple	377X500X11	297X420	277X400	+/-1	3.1	14	2 courts	378
MLJCRSA3DH24	A3	Double	377X500X12	297X420	277X400	+/-1	3.4	10	2 courts	378

Attention, les références MLJCRSA4SV24 et MLJCRSA4SH24 n'ont qu'une seule rangée de led qui éclaire le porte-affiche.

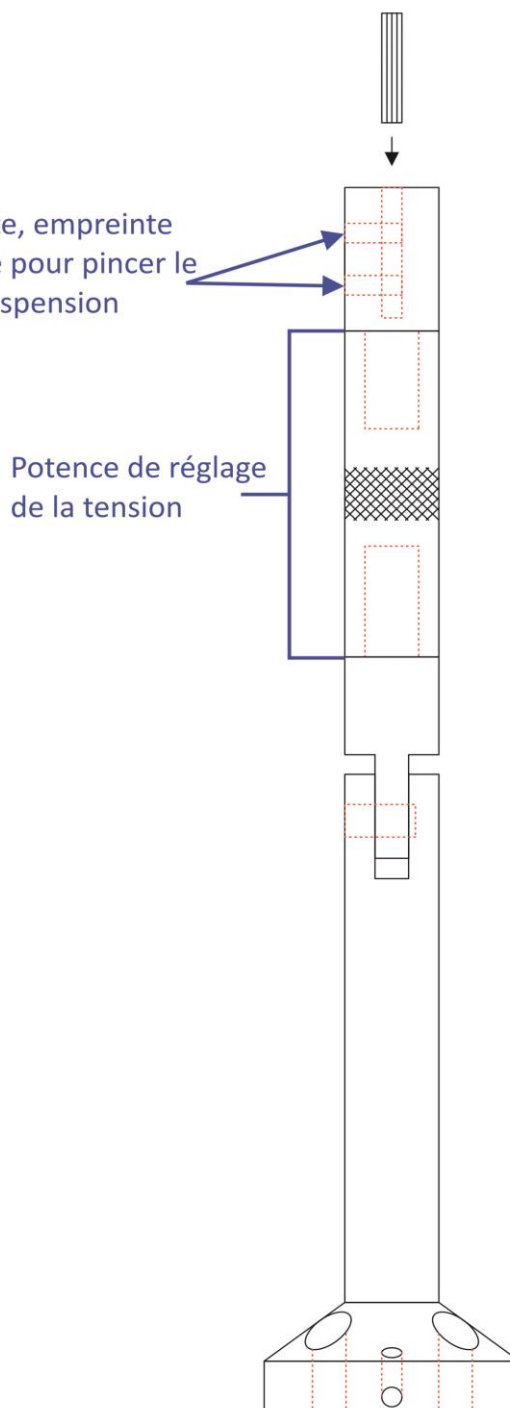
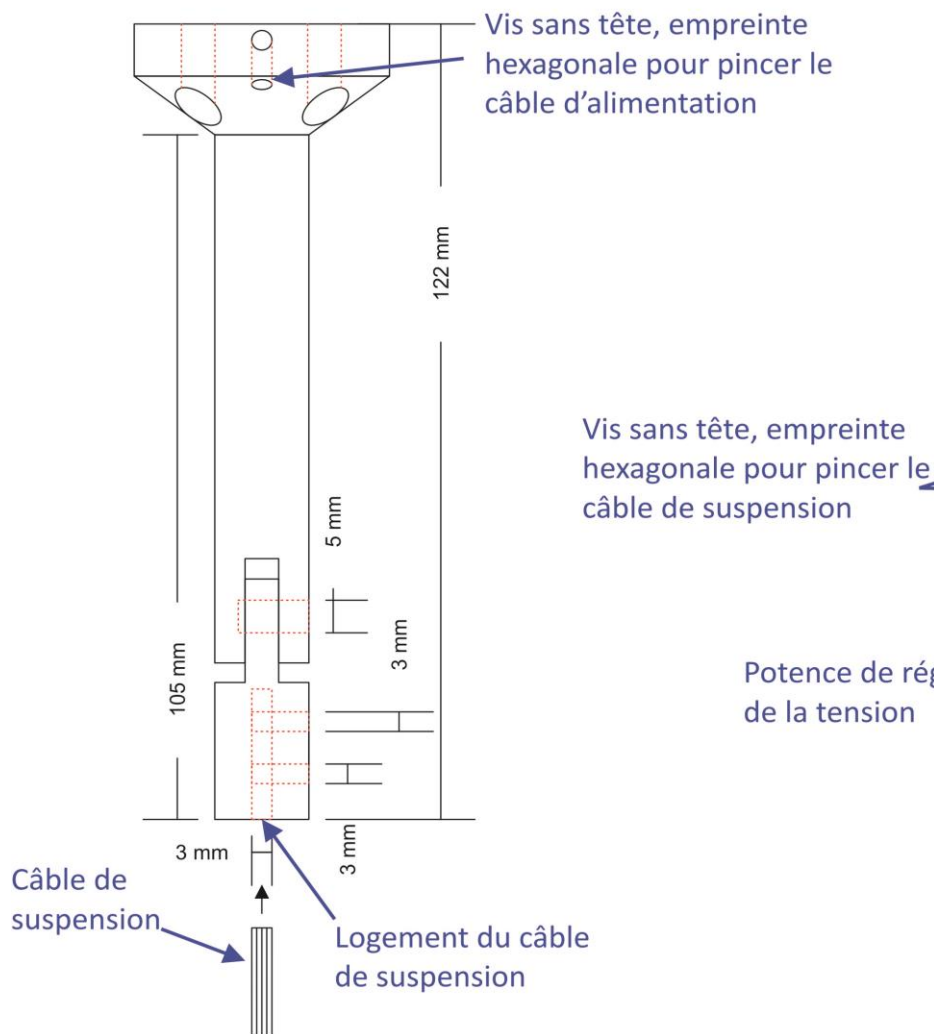
Charge maxi par alimentation	MLPM4024E (36W)		MLPM7524E (60W)		MLPM12024E (100W)		MLPM18024E (150W)		MLPM24024E (200W)		MLPM30024E (250W)		MLPM36024E (300W)	
	H	V	H	V	H	V	H	V	H	V	H	V	H	V
Porte-affiche A4 simple face	3	3	6	6	10	10	15	15	20	20	28	25	30	30
Porte-affiche A4 double face	2	2	4	3	8	6	12	9	16	12	20	15	24	18
Porte-affiche A3 simple face	2	1	3	2	5	4	8	6	11	8	14	11	17	13
Porte-affiche A3 double face	2	-	4	-	8	-	12	-	16	-	20	-	24	-

5. ACCESSOIRES

Référence	MLKAK	MLKAK2	MLKAMS	MLKAMD
Désignation	Kit de raccordement électrique et de suspension	Kit de raccordement électrique et de suspension	Pièce de jonction multi colonne simple face	Pièce de jonction multi colonne double face
Composition	1 câble de 3m 1 potence+tendeur 2 fixations mur ou plafond	2 câbles de 3m 2 potences+tendeurs 4 fixations mur ou plafond	1 pièce	1 pièce



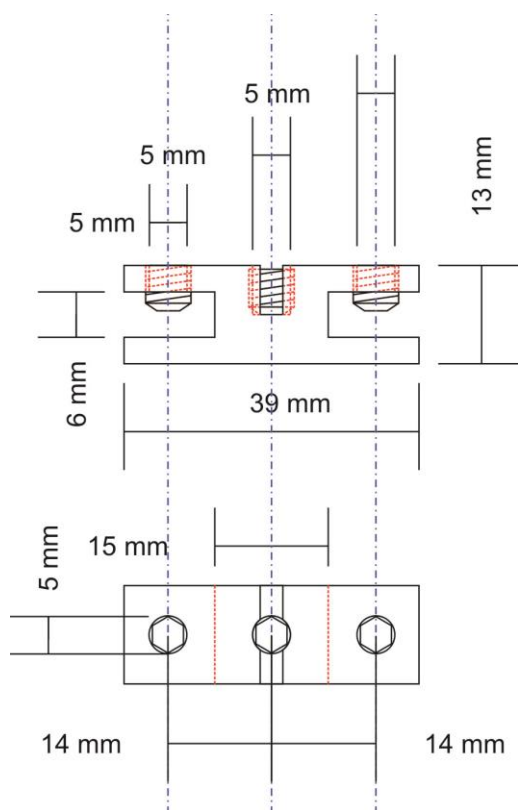
Potence Haute



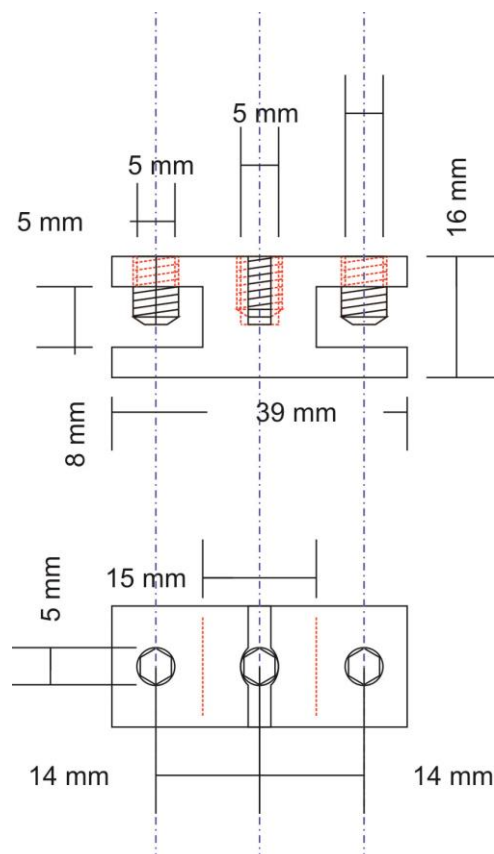
Prévoir des clés hexagonales de 3 et de 2 pour serrer les vis.

Potence Basse

MLKAMS



MLKAMD

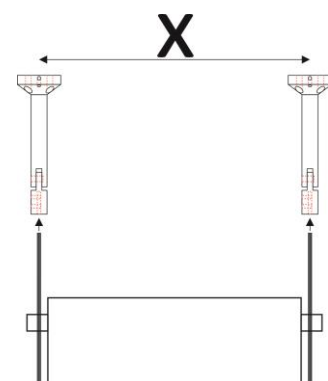


Prévoir une clé hexagonale de 3 pour serrer correctement les vis.

6. MISE EN ŒUVRE

Déterminer l'entraxe de fixation des potences :

Référence	MLJCRSA4SH/DH	MLJCRSA4SV/DV	MLJCRSA3SH/DH	MLJCRSA3SV/DV
Entraxe (x)	364 mm	272 mm	512 mm	389 mm



Porte-affiches suspendus classiques :

Placer les potences de fixation suivant les entraxes.

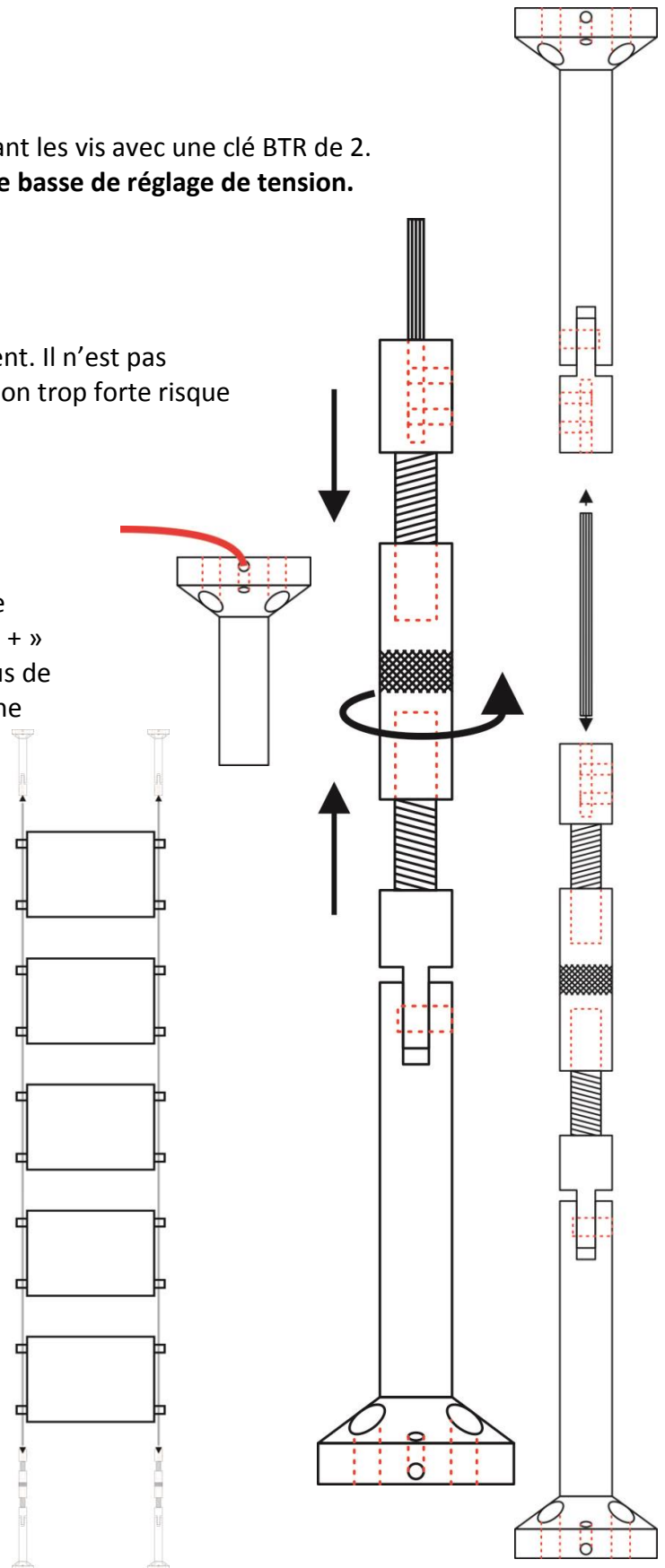
Enfiler le câble dans les potences et le bloquer en serrant les vis avec une clé BTR de 2.

Attention, il faut impérativement desserrer la potence basse de réglage de tension.

Serrer la potence basse de tension. Les câbles se tendent. Il n'est pas nécessaire de trop tendre les câbles. En effet une tension trop forte risque de déloger les câbles des potences.

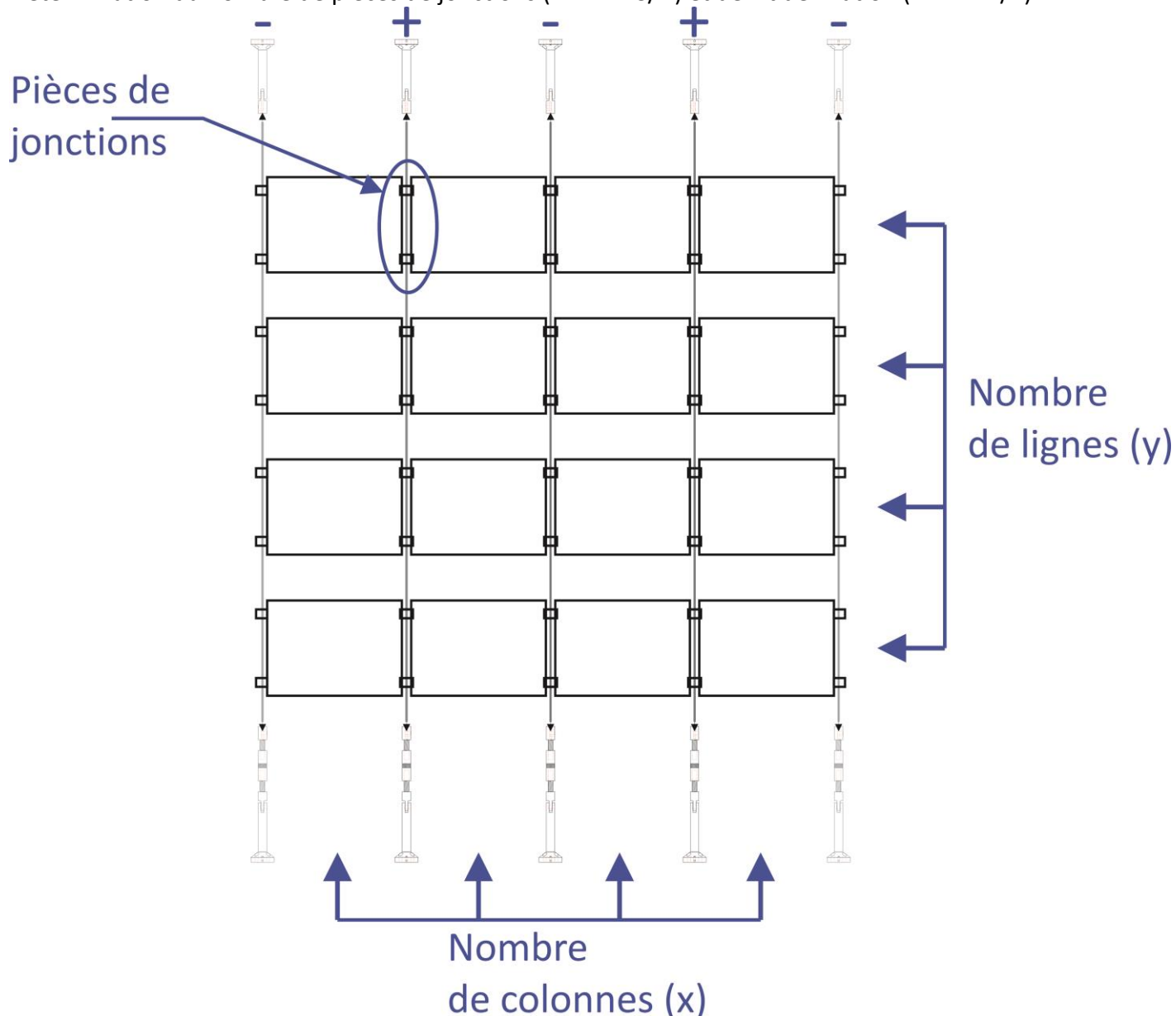
Connecter l'alimentation à la potence. Chaque colonne a une polarité. Il y a des repères sur le porte-affiche : « + » Pour le 12V et « - » pour le 0V. Il ne peut pas y avoir plus de 10m de câble entre l'alimentation et la dernière colonne de porte-affiches à alimenter.

Il est possible de mettre 5 porte affiches A4 maximum par colonne et 4 porte affiches A3 maximum par colonne. Les porte-affiches doivent être placés 1 par 1. Une clé BTR de 3 sera requise. La connexion de l'alimentation au porte affiche se fera lorsque les vis de fixation du porte-affiche seront serrées.



Porte-affiches suspendus multicolonnés :

Détermination du nombre de pièces de jonctions (MLKAMS/D) et de kit de fixation (MLKAK1/2) :



Utiliser la formule $2y(x-1)$ donnera le nombre de pièces de jonctions dont on a besoin, $x =$ Nbre de colonnes et $y =$ Nbre de lignes.

Par exemple :

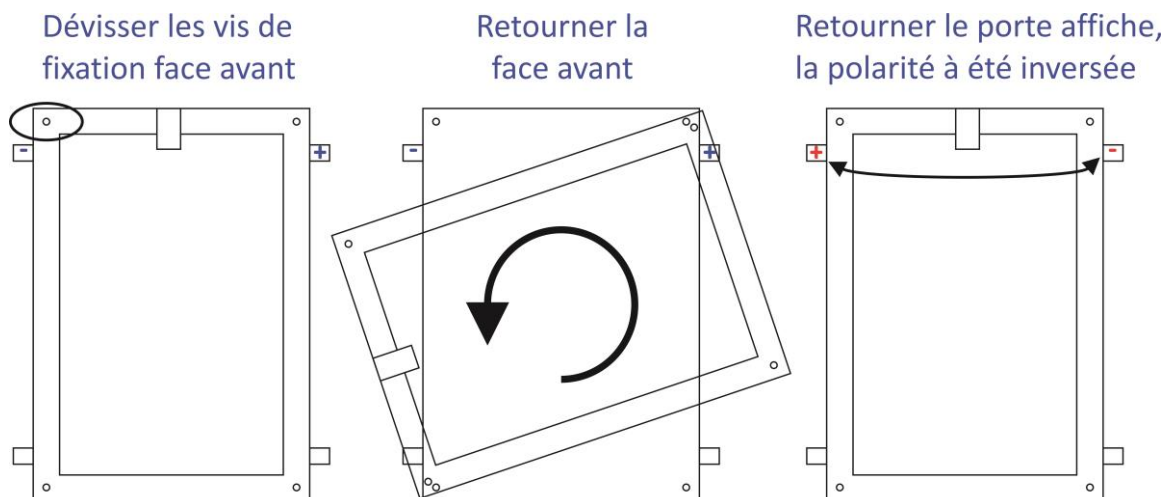
Sur le schéma ci-dessus nous avons 4 colonnes ($X=4$) et 4 lignes ($Y=4$) donc :

$$2 \times 4 \times (4-1) = 24$$

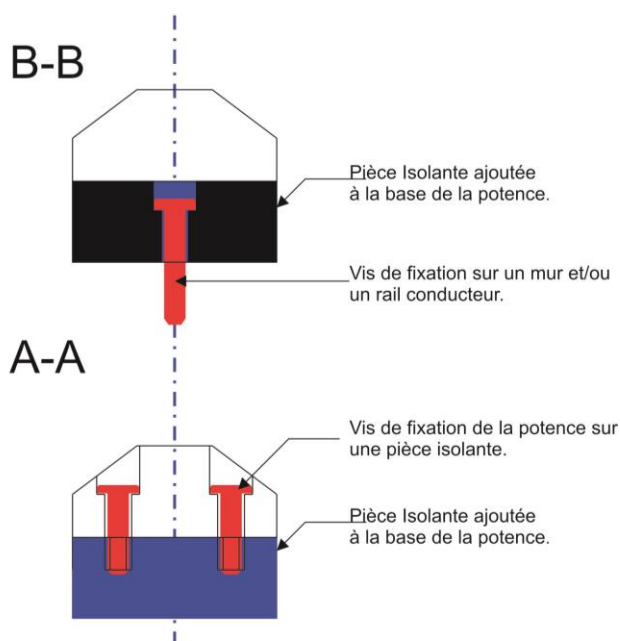
Il nous faudra donc 24 pièces de jonctions pour ce montage.

Pour déterminer le nombre de kits il suffit de compter le nombre de lignes de potences. Dans notre cas, il y a 5 lignes de potences. Il faudra donc 2 kits MLKAK2 et 1 kit MKAK1.

Il faut déjà vérifier la polarité des porte-affiches. Si ce sont des porte-affiches simple face :



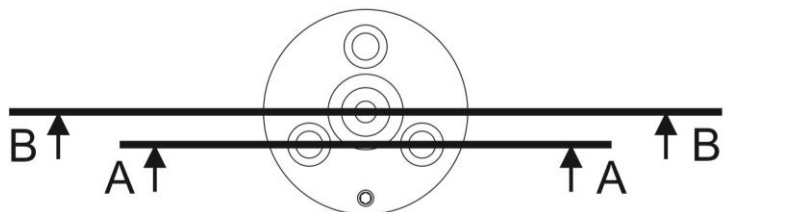
Changement de polarité des porte-affiches simple face



Pour les porte-affiches double face, il suffit de les retourner, de mettre le recto à la place du verso pour échanger la polarité. Il faut suivre la procédure de montage du mono colonne.

Attention à ne pas soutenir le poids des portes affiches par une seule potence !

Dans le cas où les potences sont fixées sur un rail conducteur, il faut impérativement isoler électriquement les potences les une des autres sous peine de court circuit.




Test Report

No. AJD201102564

Date: JUN.22, 2011

Page 1 of 5

The following sample(s) was / were submitted and identified on behalf of the client as:

Sample Description: CAST ACRYLIC SHEET DIFFUSER BOARD WHITE

Supplier:

Manufacture:

Country of Origin: CHINA

Test Requested:

NF P 92-507:2004 Fire safety-building-interior fitting materials-Classification according to their reaction to fire

Test Results: -- See attached sheet --

Conclusion:

Classification: M3

Note: The classes with their corresponding fire performance are given in Annex I.

Test Period:

Sample Receiving Date : JUN.15, 2011

Test Performing Date : JUN.15, 2011 TO JUN.21, 2011

Signed for and on behalf of
SGS-CSTC Co., Ltd.



Allen Zou
Technical Supervisor

This document is issued by the Company subject to its General Conditions of Service printed overleaf, available on request or accessible at http://www.sgs.com/terms_and_conditions.htm and for electronic format documents, subject to Terms and Conditions for Electronic Documents at www.sgs.com/terms_e-document.htm. Attention is drawn to the limitation of liability, indemnification and jurisdiction issues defined therein. Any holder of this document is advised that information contained hereon reflects the Company's findings at the time of its preparation only and within the limits of Client's instructions, if any. The Company's sole responsibility is to its Client and this document does not exonerate parties to a transaction from exercising all their rights and obligations under the transaction documents. This document cannot be reproduced except in full, without prior written approval of the Company. Any unauthorized alteration, forgery or falsification of the content or appearance of this document is unlawful and offenders may be prosecuted to the fullest extent of the law. Unless otherwise stated the results shown in this test report refer only to the sample(s) tested and such sample(s) are retained for 30 days only.



SGS Standards Technical Services Co., Ltd.
Any Branch Warehouselaboratory

No.301, Yangguang Avenue, District 2, Sunlight Industrial Zone, Anji County, Zhejiang Province, China 313300 t (86-572) 5018825 f (86-572) 5018829 www.cn.sgs.com
中国·浙江·安吉县阳光工业园二区阳光大道301号 邮编: 313300 t (86-572) 5018825 f (86-572) 5018829 e sgs.china@sgs.com

AJHG 140123

Member of the SGS Group (SGS SA)



Test Report

No. AJD201102564

Date: JUN.22, 2011

Page 2 of 5

I. Test conducted

This test was conducted according to NF P 92-507:2004 Fire safety-building-interior fitting materials - Classification according to their reaction. And the test methods as following:

NF P92-501:1995 Safety against fire - Building materials - Reaction to fire tests - Radiation test used for rigid materials, or for materials on rigid substrates (flooring and finishes) of all thicknesses, and for flexible materials thicker than 5 mm

II. Details of classified product

The details of the tested specimen given below have been prepared from information provided by the sponsor of the test. All values quoted are nominal, unless tolerances are given.

Color	White
Size of sample	Length 400mm, Wide 300mm
Thickness (mm)	About 29mm

III. Conditioning

Prior to testing, the sample was conditioned,

In an atmosphere having a temperature of $23 \pm 2^{\circ}\text{C}$ and a relative humidity of $50 \pm 5\%$ until constant mass is obtained. The mass is considered as constant when two successive weightings 24 hours apart do not differ by more than 0.1% or 0.1 g (take the highest mass value).

To be continued....

Attention: To check the authenticity of testing/inspection report & certificate, please contact us at telephone: (86-75)83071443, or email: CN.Doccheck@sgs.com

This document is issued by the Company subject to its General Conditions of Service printed overleaf, available on request or accessible at http://www.sgs.com/terms_and_conditions.htm and for electronic format documents, subject to Terms and Conditions for Electronic Documents at www.sgs.com/terms_e-document.htm. Attention is drawn to the limitation of liability, indemnification and jurisdiction issues defined therein. Any holder of this document is advised that information contained hereon reflects the Company's findings at the time of its intervention only and within the limits of Client's instructions, if any. The Company's sole responsibility is to its Client and this document does not exonerate parties to a transaction from exercising all their rights and obligations under the transaction documents. This document cannot be reproduced except in full, without prior written approval of the Company. Any unauthorized alteration, forgery or falsification of the content or appearance of this document is unlawful and offenders may be prosecuted to the fullest extent of the law. Unless otherwise stated the results shown in this test report refer only to the sample(s) tested and such sample(s) are retained for 30 days only.



SGS Standards Technical Services Co., Ltd.
Any Branch of the Goods Laboratory

No.301, Yangguang Avenue, District 2, Sunlight Industrial Zone, Anji County, Zhejiang Province, China 313300 t (86-572) 5018825 f (86-572) 5018829 www.cn.sgs.com
中国·浙江·安吉县阳光工业园二区阳光大道301号 邮编: 313300 t (86-572) 5018825 f (86-572) 5018829 e sgs.china@sgs.com

AJHG 140067

Member of the SGS Group (SGS SA)



Test Report

No. AJD201102564

Date: JUN.22, 2011

Page 3 of 5

IV. Test results

NF P92-501:1995 Test by Radiation

	Specimen 1	Specimen 2	Specimen 3	Specimen 4	AVE
Time of ignited exposed face (t1) (seconds)	196	198	192	195	
Time of ignited unexposed face (t2) (seconds)	634	621	638	640	
Sum of the height of the flame $\sum h$ (cm)	2407	2341	2308	2265	
Sum of the duration of flaming combustion, ΔT	1004	1002	1008	1005	
$q = \frac{100 \sum h}{t_i \sqrt{\Delta T}}$	38.8	37.4	37.9	36.6	37.7
Flaming molten droplets (Yes/No)	No	No	No	No	
Non-flaming molten droplets (Yes/No)	No	No	No	No	

Note:

t₁: Time for the test piece to ignite on exposed face after it has been placed in the cabinet;

t₂: Time for the test piece to ignite on the unexposed face after it has been placed in the cabinet;

t_i: Time for the test piece to ignite after it has been placed in the cabinet;

$\sum h$: Is the sum of the maximum height of the flames (h) reached in every 30 second period (in centimeters) during each test;

ΔT : The total duration of flaming combustion above the top of the radiator (it is calculated whether either one or both faces of the specimen flame);

q: Is the classification index obtained from the data derived from each test.

Statement:

The test results relate to the behaviour of the test specimens of a product under the particular conditions of the test; they are not intended to be the sole criterion for assessing the potential fire hazard of the product in use.

The test results relate only to the specimens of the product in the form in which were tested. Small differences in the composition or thickness of the product may significantly affect the performance during the test and may therefore invalidate the test results. Care should be taken to ensure that any product, which is supplied or used, is fully represented by the specimens, which were tested.

To be continued....

This document is issued by the Company subject to its General Conditions of Service printed overleaf, available on request or accessible at http://www.sgs.com/terms_and_conditions.htm and for electronic format documents, subject to Terms and Conditions for Electronic Documents at www.sgs.com/terms_e-document.htm. Attention is drawn to the limitation of liability, indemnification and jurisdiction issues defined therein. Any holder of this document is advised that information contained hereon reflects the Company's findings at the time of its intervention only and within the limits of Client's instructions, if any. The Company's sole responsibility is to its Client and this document does not exonerate parties to a transaction from exercising all their rights and obligations under the transaction documents. This document cannot be reproduced except in full, without prior written approval of the Company. Any unauthorized alteration, forgery or falsification of the content or appearance of this document is unlawful and offenders may be prosecuted to the fullest extent of the law. Unless otherwise stated the results shown in this test report refer only to the sample(s) tested and such sample(s) are retained for 30 days only.



SGS Standards Technical Services Co., Ltd.
Any Branch / Engeprods Laboratory

No.301, Yangguang Avenue, District 2, Sunlight Industrial Zone, Anji County, Zhejiang Province, China 313300 t (86-572) 5018825 f (86-572) 5018829 www.cn.sgs.com
中国·浙江·安吉县阳光工业园二区阳光大道301号 邮编: 313300 t (86-572) 5018825 f (86-572) 5018829 e sgs.china@sgs.com

AJHG 140068

Member of the SGS Group (SGS SA)



Test Report

No. AJD201102564

Date: JUN.22, 2011

Page 4 of 5

Annex I, Requirements

Table 2 Resume of classification for the rigid materials and flexible materials which thickness more than 5mm

<u>Radiation Test</u> ^{c)}		Flame Spread		PCS	
Requirement		<2 mm/s	>2 mm/s	<2.5 MJ/kg	>2.5 MJ/kg
No Effective Inflammation	M0			M0 ^{a)}	M1
q<2.5 ^{b)}	M1				
q<15	M2				
q<50	M3				
q ≥50		M4	NC		

^{a)} For the classification M0 of multilayer materials and painted inert materials, refer to clause 3.3.2, 3.3.3, 3.3.4 and appendix C.

^{b)} The meanings of the index q refer to clause 3.2.3.4 of NF P 92-507:2004.

^{c)} If the materials presented a particular behaviour, the classification also needs to refer to Table 3.

Table 3 Resume of classification for the materials presented a particular behaviour

Test Items	Criteria of classification				
		Not ignite the wadding	Not ignite the wadding	Ignite the wadding	Ignite the wadding
<u>Test for hot melt materials</u>					
<u>Flame Persistence Test</u>	No drops	Non-flaming molten droplets	Flaming drops or debris	Non-flaming molten droplets	Flaming drops or debris
Flame persistence time ≤2s	M1	M1	M2	M4	M4
Flame persistence time ≤5s	M2	M2	M3	M4	M4
Flame persistence time >5s and Flame Spread <2 mm/s	M3	M3	M4	M4	M4

To be continued....

This document is issued by the Company subject to its General Conditions of Service printed overleaf, available on request or accessible at http://www.sgs.com/terms_and_conditions.htm and for electronic format documents, subject to Terms and Conditions for Electronic Documents at www.sgs.com/terms_e-document.htm. Attention is drawn to the limitation of liability, indemnification and jurisdiction issues defined therein. Any holder of this document is advised that information contained hereon reflects the Company's findings at the time of its intervention only and within the limits of Client's instructions, if any. The Company's sole responsibility is to its Client and this document does not exonerate parties to a transaction from exercising all their rights and obligations under the transaction documents. This document cannot be reproduced except in full, without prior written approval of the Company. Any unauthorized alteration, forgery or falsification of the content or appearance of this document is unlawful and offenders may be prosecuted to the fullest extent of the law. Unless otherwise stated, the results shown in this test report refer only to the sample(s) tested and such sample(s) are retained for 30 days only.



SGS Standards Technical Services Co. Ltd.
Anji Branch, Windpools Laboratory

No.301, Yangguang Avenue, District 2, Sunlight Industrial Zone, Anji County, Zhejiang Province, China 313300 t (86-572) 5018825 f (86-572) 5018829 www.cn.sgs.com
中国·浙江·安吉县阳光工业园二区阳光大道301号 邮编: 313300 t (86-572) 5018825 f (86-572) 5018829 e sgs.china@sgs.com

AJHG 140069

Member of the SGS Group (SGS SA)

SGS

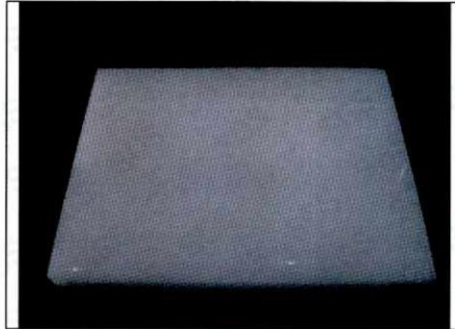
Test Report

No. AJD201102564

Date: JUN.22, 2011

Page 5 of 5

Photo Appendix:



End of Report

Attention: To check the authenticity of testing / inspection report & certificate, please contact us at telephone: (86-755)83071443, or email: CN.Doccheck@sgs.com

This document is issued by the Company subject to its General Conditions of Service printed overleaf, available on request or accessible at http://www.sgs.com/terms_and_conditions.htm and for electronic format documents, subject to Terms and Conditions for Electronic Documents at www.sgs.com/terms_e-document.htm. Attention is drawn to the limitation of liability, indemnification and jurisdiction issues defined therein. Any holder of this document is advised that information contained hereon reflects the Company's findings at the time of its preparation only and within the limits of Client's instructions, if any. The Company's sole responsibility is to its Client and this document does not exonerate parties to a transaction from exercising all their rights and obligations under the transaction documents. This document cannot be reproduced except in full, without prior written approval of the Company. Any unauthorized alteration, forgery or falsification of the content or appearance of this document is unlawful and offenders may be prosecuted to the fullest extent of the law. Unless otherwise stated the results shown in this test report refer only to the sample(s) tested and such sample(s) are retained for 30 days only.



No.301, Yangguang Avenue, District 2, Sunlight Industrial Zone, Anji County, Zhejiang Province, China 313300 t (86-572) 5018825 f (86-572) 5018829 www.cn.sgs.com
 中国·浙江·安吉县阳光工业园二区阳光大道301号 邮编: 313300 t (86-572) 5018825 f (86-572) 5018829 e sgs.china@sgs.com

AJHG 140070

Member of the SGS Group (SGS SA)